

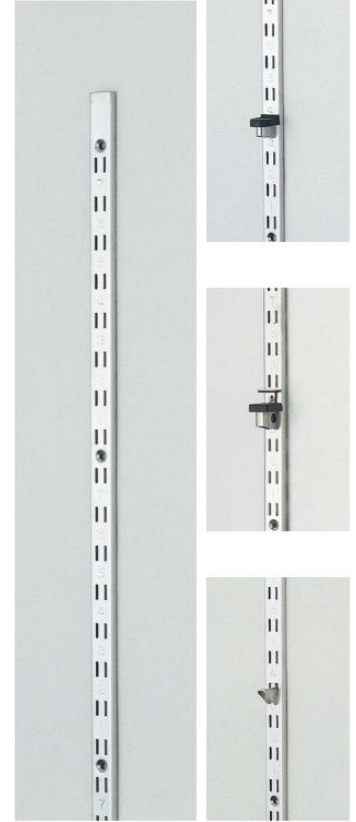
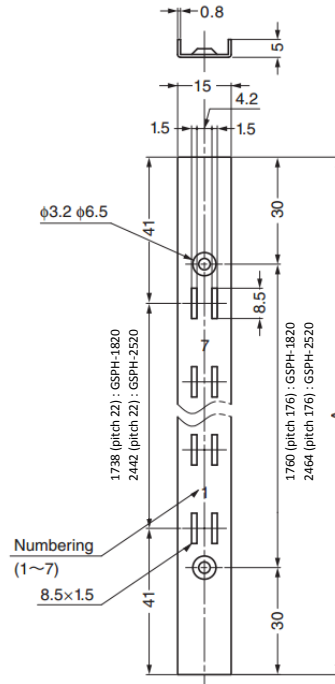
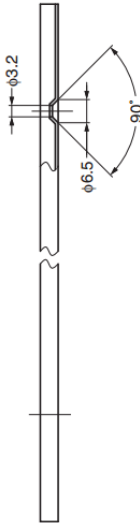
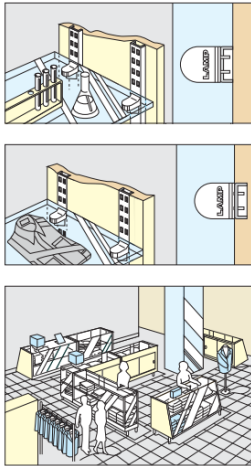
GSPH Heavy Duty Shelf Standard

Features

- Numbering on shelf standards: easy to adjust the height of shelf board to the same level

Sold Separately

- Shelf support **GSPH-20** (below)
- Shelf support **GSPH-5**
- Shelf support **GSPH-15**
- End cap **GSP-18E**
- End cap **GSPW-EC20**



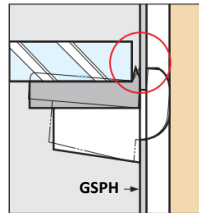
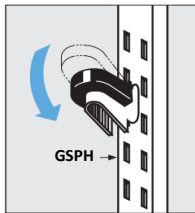
Part No.	Material	Finish	A	Holes
GSPH-1820	Stainless Steel 304	Satin	1820	11
GSPH-2520	Stainless Steel 304	Satin	2524	15

GSPH-20 Shelf Support

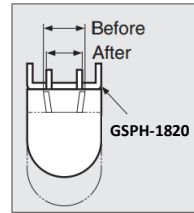
Features

- For **GSPH** (above)
- Rubber cover prevents shelf from slipping
- Has resistance to vibration

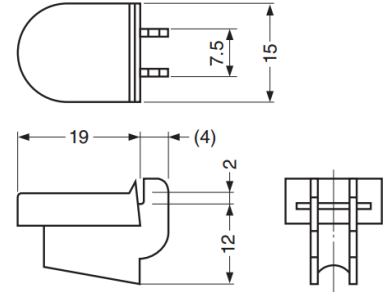
Installation



Glass shelf is not directly applied to the side board



Spring effect prevents slipping

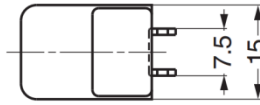


Part No.	Material	Finish	Load Capacity / 4 pcs	
GSPH-20	Stainless Steel 304	Satin	1,280 N	130 kg

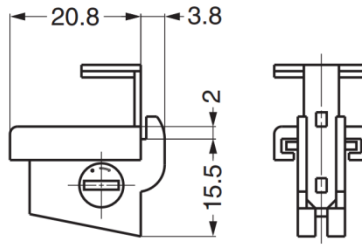
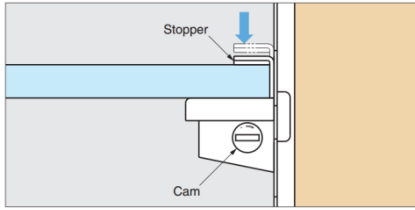
GSPH-5 Shelf Support (With Holder)

Features

- For GSPH
- Rubber cover prevents shelf from slipping
- Has resistance to vibration
- Suitable glass thickness: 4~8 mm



Installation

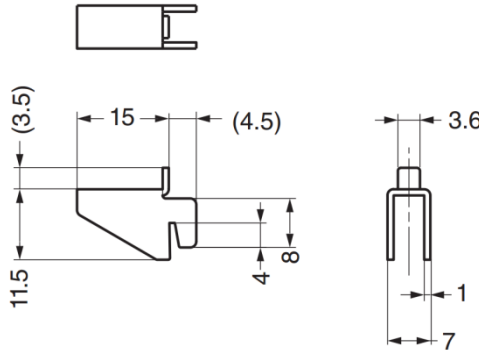


Part No.	Material	Finish	Load Capacity / 4pcs	
GSPH-5	Stainless Steel 304	Satin	1,280 N	130 kg

GSPH-15 Shelf Support

Features

- For GSPH



Part No.	Material	Finish	Load Capacity / 4pcs	
GSPH-15	Stainless Steel 304	Satin	1,280 N	130 kg

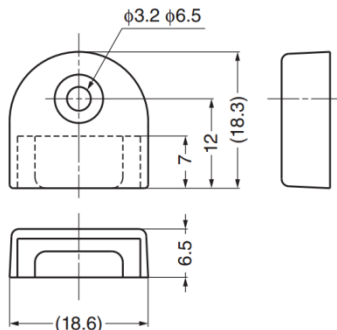
GSP-18E End Cap

Features

- For GSPH (p.9), GSM (p.5), GSP (p.9), GSPW (p.18)

Recommended Screws

- Countersunk head wood screw 3.1

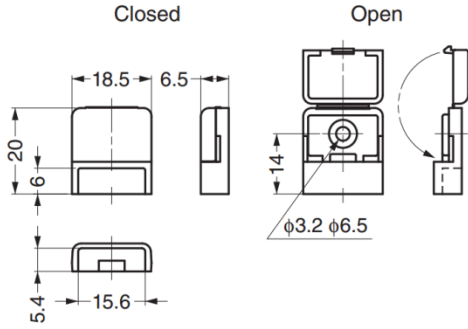


Part No.	Colour	Material
GSP-18E-BL	Black	ABS
GSP-18E-WT	White	ABS

GSPW-EC20 End Cap

Features

- For GSPW-1820, GSP, GSPS, GSM, GSPH shelf standards



Part No.	Material	Colour
SPW-EC20-WT	Polypropylene (PP)	White
SPW-EC20-BR		Brown